



**Altas**  
generator

# AJ-ELLA 37

Technical Specifications

[www.altasgenerator.com.tr](http://www.altasgenerator.com.tr)



### Standart Features

- Flexible oil pipes and oil draining valve
- Pre-heater
- Lubrication oil and anti-freeze
- Batteries and cables
- Electrostatic paint coated, steel, welded chassis
- Fuel tank housed in the chassis
- Electronic battery charger



### Output Values

#### Standby Power

kVA	kW	Amper
37	30	54

#### Prime Power

kVA	kW	Amper
34	27	49

### Diesel Engine

Cutting edge motor brands are used that are compatible with ISO 8528, ISO 3046, BS 5514, DIN 6271 standards, with their low fuel consumption, fuel pump mounted, mechanic and electronic type governor.

Brand		ELLA
Model		E4100D1
Max. Total Output Power	kWm / hp	33/40
Cylinder Displacement	lt	3,61
Cylinder Orientation		4 Single Line
Bore x Stroke	mm*mm	100*115
Compression Ratio		19:01
Governor Type		Mechanic
Rotation	rpm	1500 RPM
Aspiration System		Natural
Injection		Direct
Cooling System		Water Cooled
Electrical System	V DC	12
Oil Capacity	lt	14
Engine Coolant Capacity	lt	17
Fuel Consumption %50	lt/h	3,8
Fuel Consumption %75	lt/h	6
Fuel Consumption %100	lt/h	7,7

### Alternator

4 poles, self-excitation, brushless, synchro type alternator, electronic type voltage regulator with a maintenance-free bearing system that enables precision voltage adjustment.

Standby Power	kVa / kW	37/30
Prime Power )	kVa / kW	34/27
Brand		ELLA
Output Voltage	V	230/400
Frequency	Hz	50
Stationary Vol. Regulation	±	1%
Short Circuit Current		%300 (10 sec)
Insulation		H
Protection		IP23
Efficiency	(%)	88
Overloading		110% for 1 hour
Power Factor	(cos Q=0.8)	0,8
Tot. Harmonic Dist. Rate		<1 %
Connection Type		Star
Number of Pole		4
Number of Bearing		Single

### Dimensions

#### Genset Without Canopy

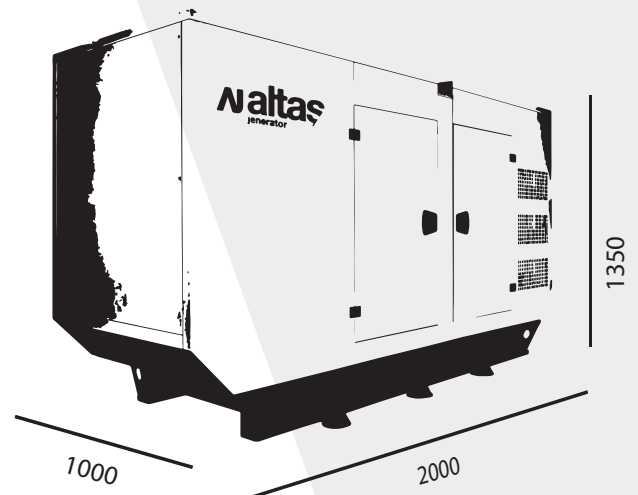
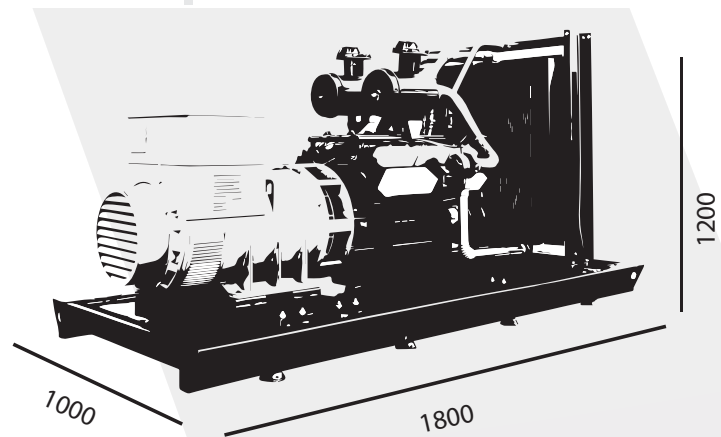
Width(mm)	Length(mm)	High(mm)	Weight(kg)
1000	1800	1200	750

Fuel Tank Capacity
160 lt

#### Genset With Canopy

Width(mm)	Length(mm)	High(mm)	Weight(kg)
1000	2000	1350	930

Fuel Tank Capacity
160 lt



\*Altas Generator reserves its right to change the specifications and cabin sizes in advance due to the continuing developments in the generator technology without any prior notification.

## Optional Features

- Soundproof canopy
- Transfer switch
- Fuel sedimentary filter
- Alternator output switch
- Heating system for fuel tank
- Oil heater
- External fuel tank and transfer pump
- Remote control and monitoring
- Synchronization systems
- Special type exhaust muffler
- Trailer

## Control Panel Features



- Diesel and gas genset support
- 400Hz operation support
- 400 event logs, full snapshot
- All parameters front panel editable
- 3 level configuration password
- 128x64 graphical LCD display
- Downloadable language
- Waveform display of V&I
- Harmonic analysis of V&I
- 16 Amp MCB & GCB outputs
- 8 configurable digital inputs
- 6 configurable digital outputs
- 3 configurable analog inputs
- CANBUS-J1939 & MPU input
- 3 configurable service alarms
- Multiple automatic exerciser
- Weekly operation schedule
- Dual mutual standby with equal aging of gensets
- Manual 'speed fine adjust' on selected ECUs
- Automatic fuel pump control
- Disable protections feature
- Excess power protection
- Reverse power protection
- Overload IDMT protection
- Load shedding, dummy load
- Multiple load management
- Current unbalance protection
- Voltage unbalance protection
- Fuel filling & fuel theft alarms
- Battery back-up real time clock
- Idle speed control
- Battery charge run enabled
- Combat mode support
- Multiple nominal conditions
- Contactor & MCB drive
- 4 quadrant genset power counters
- Mains power counters
- Fuel filling counter
- Fuel consumption counter
- Modem diagnostics
- Configurable through USB, RS-232 and GPRS
- Free configuration software
- SMS controls enabled
- Ready for central monitoring
- Mobile genset support
- Automatic GSM geo-location
- GPS connection (RS232)
- USB firmware upgrade
- IP65 rating with standard gasket